

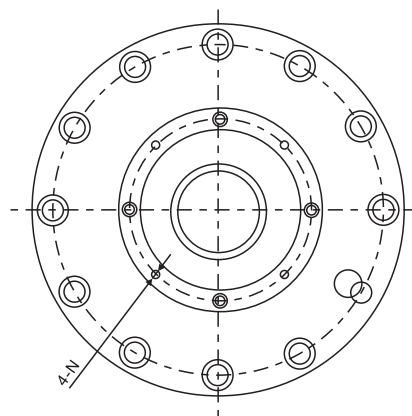
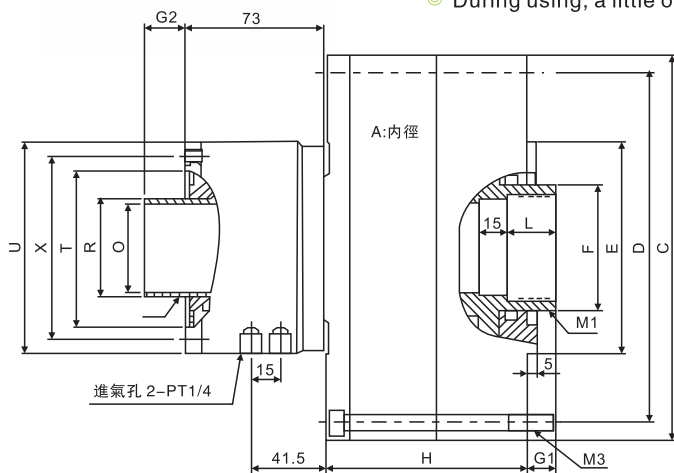
> RQ-B SERIES

雙活塞中空回轉氣壓缸

DOUBLE ROD PISTON THROUGH HOLE ROTATING AIR CYLINDER



- ◎ 大通孔設計，雙活塞設計，拉力能加大1倍。通孔貫穿可加工長軸類零件。
- ◎ 輕量型，高速型，閥體經特殊設計，能使壓縮空氣的消耗量節減，充分發揮高效經濟效益。
- ◎ 內部零部件皆採用進口原件，運轉平衡，高壽命。
- ◎ 特大通孔可根據客戶需求定制。
- ◎ 使用時請注入微量油霧。
- ◎ Large through hole for long workpiece working, and double piston design, the pull force doubled.
- ◎ Light weight and high rotating speed, special designed valve which economize air consumption, the cost is saved.
- ◎ The components of cylinder is imported and high quality, equilibrium running and long service life.
- ◎ For special large through hole can be customized according to your requirements.
- ◎ During using, a little oil mist should be contained.



規格 Spec. 型號 Model	活塞面積 Eff. piston area cm ²		行程 (mm) Piston stroke	最高回轉速 Max R.P.M	最大使用壓力 Max. Operating Pressure MPa(kgf / cm ²)	最大推拉力kgf (KN)		慣性矩 kg·m ²	重量 Weight (kg)
	伸側 Extend	拉側 Retract				推測 Push	拉測 Pull		
RQ-130B	223.03	219.3	15	5000	0.8(8)	1784.24(17.5)	1754.4(17.2)	0.04	12
RQ-150B	291.19	281.76	15	4500	0.8(8)	2329(22.83)	2254.1(22.09)	0.06	10.3
RQ-170B	381.52	371.3	15	4500	0.8(8)	3052.1(29.91)	2970.4(29.11)	0.09	12.5

規格 Spec. 型號 Model	A	C	D	E (h7)	F1	G1		G2		H	L
						max	min	max	min		
RQ-130B	130	160	143	110	50	15	0	38	23	105	25
RQ-150B	150	180	163	110	65	15	0	35	20	105	25
RQ-170B	170	200	182	110	65	15	0	34	19	107	25

規格 Spec. 型號 Model	M1	M2	M3	O H7	N	R	T	U	X
RQ-130B	M38x1.5	M44x1.5	6-M8x115	34	M5x10	42	74	104	90
RQ-150B	M55x2	M52x1.5	6-M8x115	46	M6x10	50	86	123	110
RQ-170B	M55x2	M52x1.5	6-M8x120	46	M6x10	50	86	123	110

* 保留技術更改的權利，恕不另行通知 Subject to technology changes without prior information
 * 非標需求可訂做 Non-standard requirements can be made